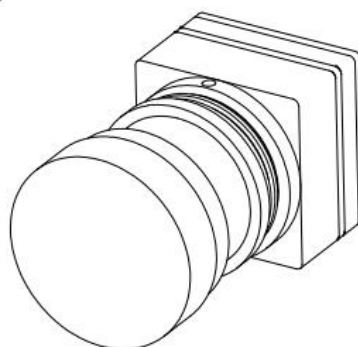
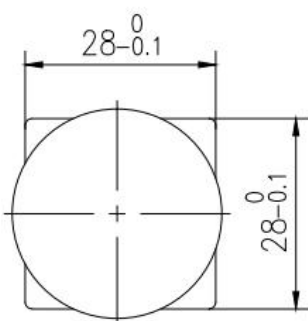
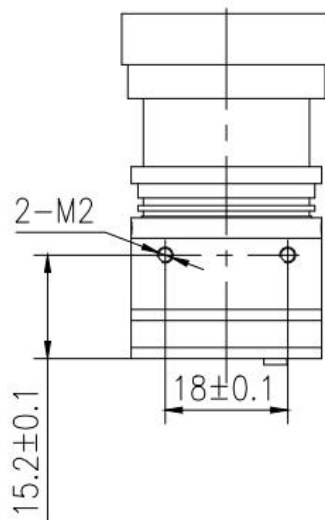
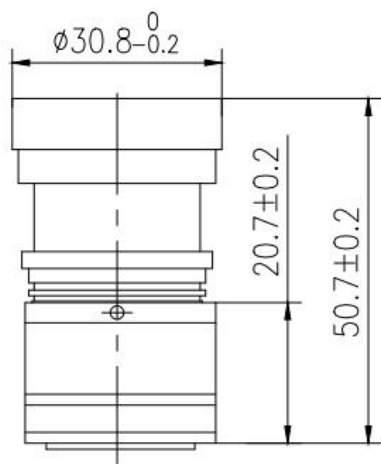
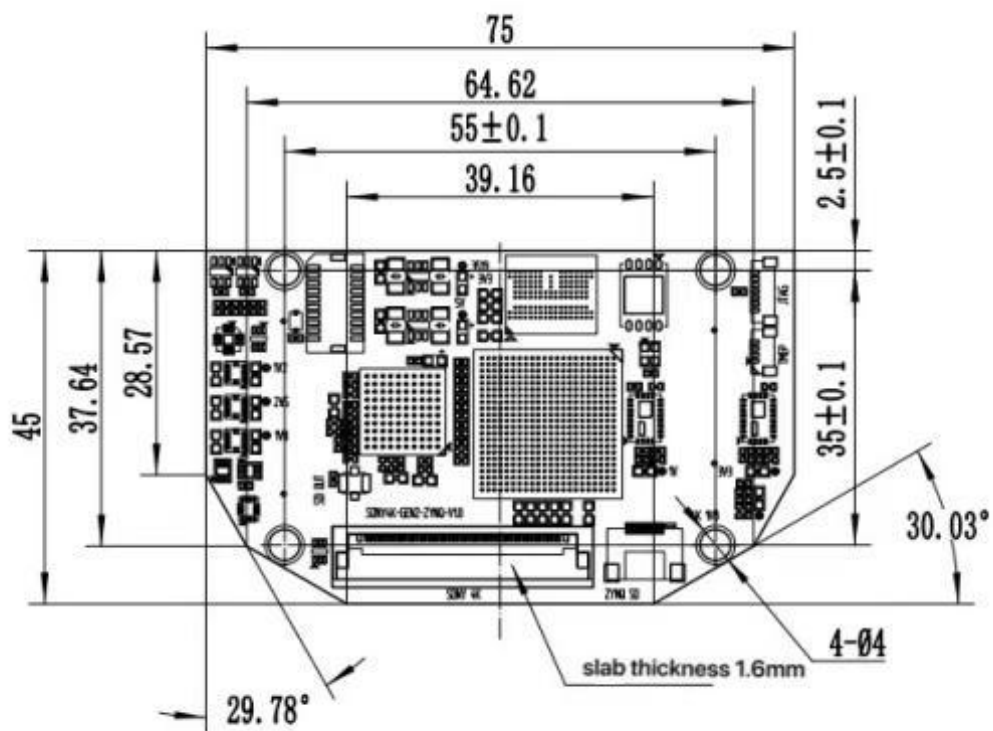


## **Product highlights:**

1. Integrated Video Tracking
2. High image quality and scene adaptability
3. No shutter (NUC) technology
4. On-line temperature measurement, false color display
5. Support for external input video (picture-in-picture)
6. OSD interface display
7. Custom character overlays
8. Rich communication interfaces
9. Small size, low power consumption

# Dimensions



## Parameters

<b>MODEL</b>		<b>S4K-F</b>
<b>Imaging index</b>	Working format	Un-cooled 8μm~14μm
	Resolution	640×480
	Size of pixel	17μm
	Emissivity correction	Emissivity 0.01~1 adjustable
	NETD	≤50mK (@25°C)
	MRTD	≤550mK (under characteristic frequency)
	Color palette	Black hot/white hot/pseudo color
	Digital zoom	2X、3X、4X
	Temperature measurement	Temperature bar with highest/lowest/center temperature spot
	Measurement range	0°C~120°C
<b>Tracking index</b>	Data refresh rate	25Hz (IR) / as Sony core (visible light)
	Tracking velocity	± 32 pixels / frame
	Target size	16x16 ~ 128x128 pixels
<b>Environmenta l adaptation</b>	Working temperature	-40°C ~ 60°C
	Storage temperature	-40°C ~ 65°C
<b>Electrical interface</b>	Communication interface	TTL
	Video Input	LVDS-2160P(Sony 8530)
	Video Output	HDMI+Net
	Video storage	The SD card stores JPEG images/h. 264, H265, and MP4 Video (32 gigabytes from the factory, up to 128 gigabytes)
	Power input	DC 12V
<b>Others</b>	Weight	< 155g
	Power consumption	≤4.6W (@25°C)